

fitting your jumpstem

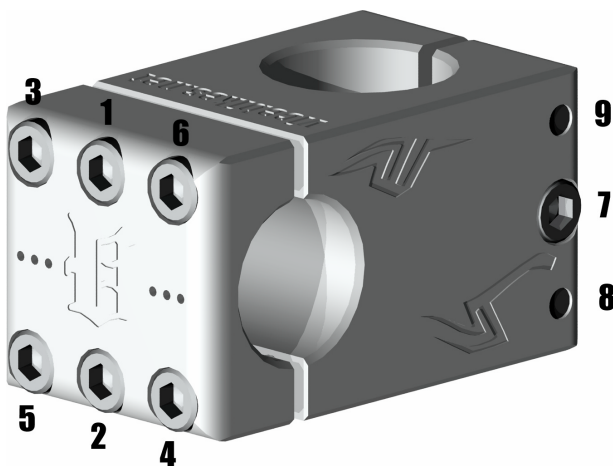
Fitting your stem is very simple but care should be taken to get it right first time. The most common problems are over tightening and a non parallel face.

You will need a 5mm allen key (or torque wrench) and 3mins of spare time. At this point you should have removed your old stem (if you had one) and checked to make sure you have enough steerer tube to fit the 45mm clamp. We recommend min 30mm and max 43mm. Also check that all the socket cap screws are greased and remove the face.

Start by sliding the stem onto the steerer tube. Tighten the headset compression cap (or star-fangled nut) as per the manufacture's instructions. Line up the stem body and tighten the steerer clamp using the bolt pattern [7-8-9-7]. Do not exceed a torque of 10-12Nm.

Place your bars onto the stem, put the face on and hand tighten each of the face socket cap screws. Use screws 1 and 2 to line up the face parallel to the body and position your bars where you want them with a 5mm allen key. Do NOT fully tighten. The face and body should be approx 2mm apart top and bottom. With the face gently held in place, parallel to the body and bars in position, you can tighten the face screws using bolt pattern [1-2-3-4-5-6]. Be sure to tighten the screws evenly by giving each one a gentle twist and repeating the pattern several times. Do not exceed a torque of 10-12Nm.

You may find that you need to straighten up the stem body or adjust your bars at this point. Take care not to over tighten any of the socket cap screws. Exceeding a torque of 10-12Nm is not recommended. Recheck screw tightness after first ride and frequently after.



warranty

Your JumpStem comes with a limited lifetime manufacturer's warranty. All ViceBikes JumpStems found by the factory to be defective in materials and/or workmanship, will be repaired or replaced at the option of the manufacturer, free of charge, (except for shipping or dealer labour charges where applicable) when returned to ViceBikes, postage paid. Lifetime warranty covers against defective materials and workmanship defects for the lifetime of the product. This does not include general wear and tear, crash damage, improper installation, modifications, neglect, misuse or improper repairs. ViceBikes shall not be liable for incidental or consequential injuries or damages directly or indirectly resulting from any alleged defects in the product. This warranty applies only to the original purchaser of the unit and does not extend to any third parties. Proof of purchase is a condition precedent to coverage under the Warranty.